

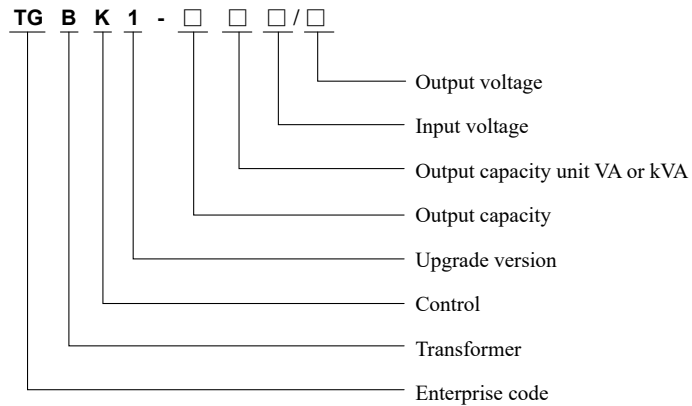
TGBK1 Series Control Transformer



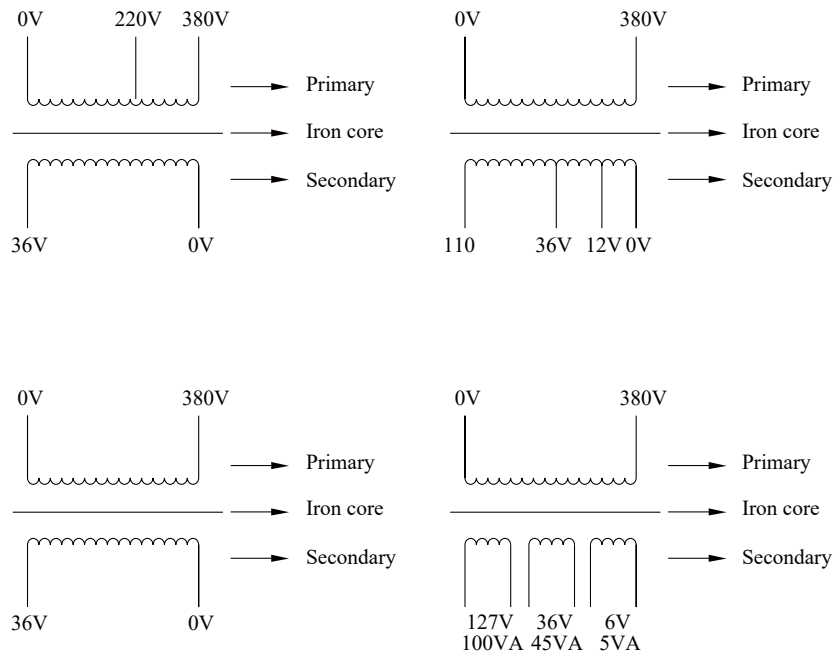
1 Overview

TGBK1 series control transformer (hereinafter referred to as transformer) is used in the AC 50/60Hz AC circuit with the rated power voltage of not exceeding 660V (voltage above 660V can be customized through negotiation) as the control power supply in machine tools and mechanical equipment, and the power supply for the work lighting, electronic equipment and signal lamp; it can also be used as a miniaturized power supply.

2 Type Designation



3 Winding Structure Form



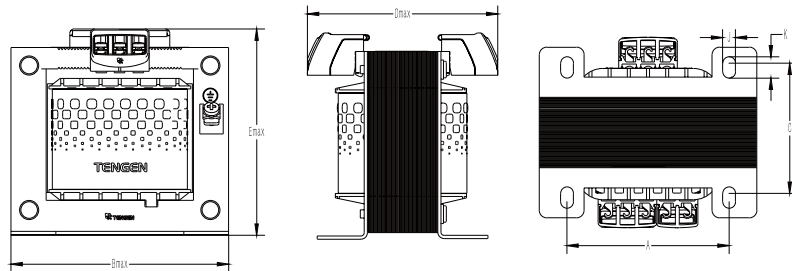
TGBK1 Series Control Transformer

4 Normal working and installation conditions

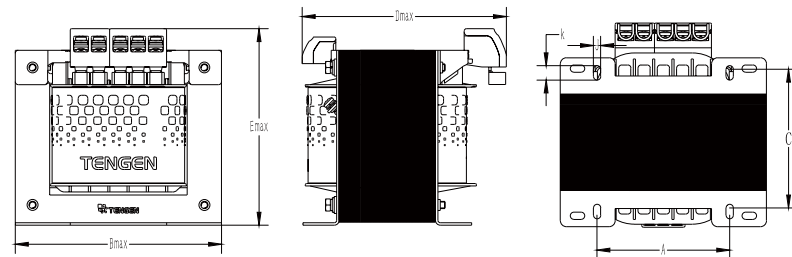
- 4.1 The altitude does not exceed 2000m;
- 4.2 The maximum ambient temperature does not exceed +40°C, and the minimum temperature is not below -5°C (when the product is required to be used in an environment below -5°C or higher than +40°C, this shall be specified when ordering), and the mean temperature within 24h does not exceed +35°C;
- 4.3 The monthly mean maximum humidity is not greater than 90% in the wettest month, the monthly mean minimum temperature of that month is +25°C; the condensation occurred on the product surface due to temperature changes shall be considered.
- 4.4 Used in the medium without explosion hazard free from gas and conductive dust sufficient to cause metal corrosion and insulation damage.
- 4.5 Installed in a place where there is no obvious vibration and impact vibration.
- 4.6 Installed in a place where there is no rain and snow immersion.
- 4.7 The input voltage does not exceed the rated voltage of the transformer $\pm 5\%V$.

5 Outline and Installation Dimensions

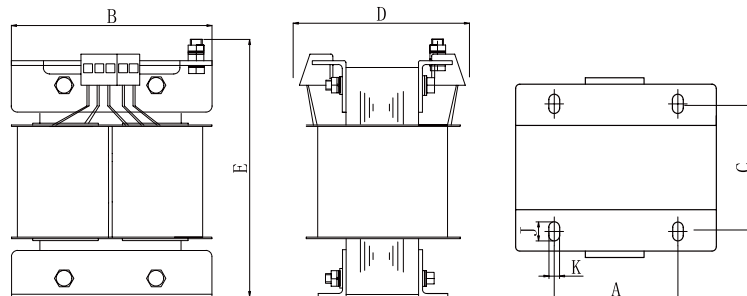
5.1 TGBK1-25VA~200VA product outline drawings



5.2 TGBK1-250VA~1000VA product outline drawings



5.3 TGBK1-1500VA~10kVA product outline drawings



TGBK1 Series Control Transformer

5.4 TGBK1 outline dimensions

Model	Outline dimensions mm			Installation dimensions mm (± 1.5)		Mounting hole mm	
	Bmax	Dmax	Emax	A	C	J	K
TGBK1-25VA	80	85	83	56	51	5	9
TGBK1-50VA	85	86	86	56	52	5	9
TGBK1-100VA	103	92	99	78	61	6	10
TGBK1-150VA	103	100	99	76	69	6	10
TGBK1-200VA	103	110	99	79	80	6	10
TGBK1-250VA	130	140	130	90	77	6	10
TGBK1-300VA	130	145	130	90	82	6	10
TGBK1-400VA	150	150	147	110	82	6	12
TGBK1-500VA	150	158	147	110	90	6	12
TGBK1-600VA	150	158	147	110	90	6	12
TGBK1-700VA	173	185	170	110	115	6	12
TGBK1-800VA	173	185	170	110	115	6	12
TGBK1-1000VA	173	185	170	110	115	6	12
TGBK1-1500VA	265	195	280	130	125	10	18
TGBK1-2000VA	265	200	280	130	130	10	18
TGBK1-2500VA	265	220	280	130	145	10	18
TGBK1-3000VA	265	220	280	130	145	10	18
TGBK1-4000VA	310	240	335	210	150	10	18
TGBK1-5000VA	310	250	335	210	160	10	18
TGBK1-6000VA	360	270	375	220	145	Φ12	
TGBK1-8000VA	360	290	375	220	165		
TGBK1-10kVA	360	310	375	220	180		

6 Ordering Notice

6.1 Model, spec., capacity and qty. of transformer.

6.2 Voltage and current or capacity distribution of each winding of transformer.

6.3 If special customization is required, please specify this and contact the production company.

Note: If out of the normal working environment range (such as temperature, and altitude), special customization is required.