

CJX2(F)-C Series AC Contactor (for AC-1)



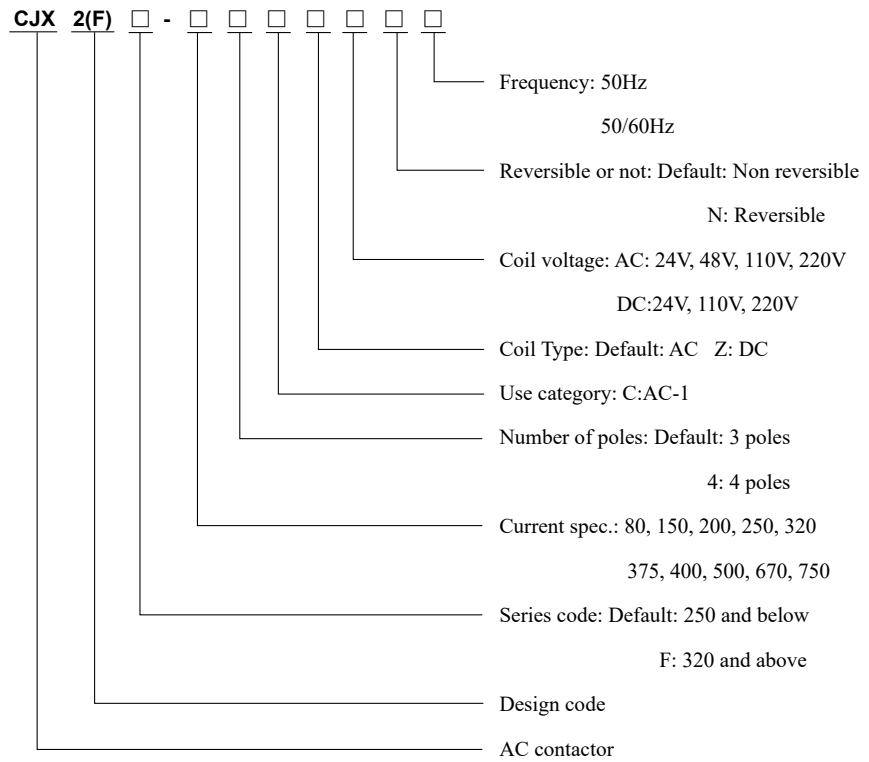
1 Overview

CJX2 (F)-C series AC contactor (for AC-1) (hereinafter referred to as contactor) is mainly used in the AC 50Hz (or 60Hz) application with the rated insulation voltage 690V ~ 1250V, and with the rated operating current 80A to 750A at the rated operating voltage 690V under the AC-1 use category primarily for remotely powering on and powering off the circuit, suitable for new energy industries such as charging piles.

The contactor is different from the breaking short-circuit current, so an appropriate short circuit protection appliance is required.

Standard: IEC 60947-4-1

2 Type Designation



Note: For different current specifications, the coil voltage range is slightly different, and the specific 3.2 coil voltage US table shall prevail;

Only the 320C has a level-4 product.



CJX2(F)-C Series AC Contactor (for AC-1)

3 Main Technical Parameters

3.1 Key parameters of main circuit

Model	Rated insulation voltage U_i (V)	Resistive current of free air (A)	Max. rated operating voltage(V)	Rated operating current AC-1(A)	Operating frequency AC-1 time / hour	Model & Spec. of matched fuse
CJX2-80C	1000	80	1000	80	300	RT16-00/100A
CJX2-150C	1140	150	1140	150	300	RT16-00/160A
CJX2-200C	1140	200	1140	200	300	RT16-00/200A
CJX2-250C	1140	250	1140	250	300	RT16-00/250A
CJX2F-320C	1000	320	690	320	1200	RT16-2/400A
CJX2F-375C	1000	375	690	375	1200	RT16-2/400A
CJX2F-400C	1250	400	690	400	600	RT16-3/450A
CJX2F-500C	1250	500	690	500	600	RT16-3/500A
CJX2F-670C	1250	670	690	670	600	RT17/800A
CJX2F-750C	1250	750	1140	750	600	RT17/800A
Pull-in voltage range	85%Us ~ 115%Us					
Release voltage range	20%Us ~ 75%Us (AC) ; 10%Us ~ 70%Us (DC)					

3.2 Coil voltage U_s

Model	CJX2-80C	CJX2-150C、200C、250C	CJX2F-320C	CJX2F-375C	CJX2F-400C、500C	CJX2F-670C	CJX2F-750C
Rated control voltage U_s / (V)	AC: 24/36/48/110/127/220/380V/ (50Hz,50/60Hz) DC: 24/48/110/220V	AC: 24V/36V/ 48V/(110/120)V/ (220/230)V/ (380/400)V/ (50/60)Hz	AC: (110V/115V)/ (220V/230V)/ (380V/400V)/ 50Hz,50/60Hz DC: 110V/220V			AC: (110V/115V)/ (220V/230V)/ (380V/400V)/ 50/60Hz DC: 110V/220V	

3.3 Operation conditions

Within the ambient air temperature $-5^{\circ}\text{C} \sim +40^{\circ}\text{C}$ range, apply the control power voltage U_s onto the contactor sucking coil until it is heated to the stable state, and the contact can be closed reliably within the (85% ~ 110%) U_s ; its release AC voltage is (20%~75%) U_s , and DC voltage is (10%~70%) U_s .

3.4 Core parameters of aux. circuit

Aux. contact	Resistive current (I _{th}) A	10
	Rated operating voltage (U _e)V and rated operating current (I _e)A	380V/0.95A (AC-15) 220V/0.15A (DC-13)
	Rated control capacity	360VA (AC-15) or 33W (DC-13)
	Electrical life (10,000 times)	100
	Mechanical life (10,000 times)	1000
	Switchable min. load	6V / 10mA

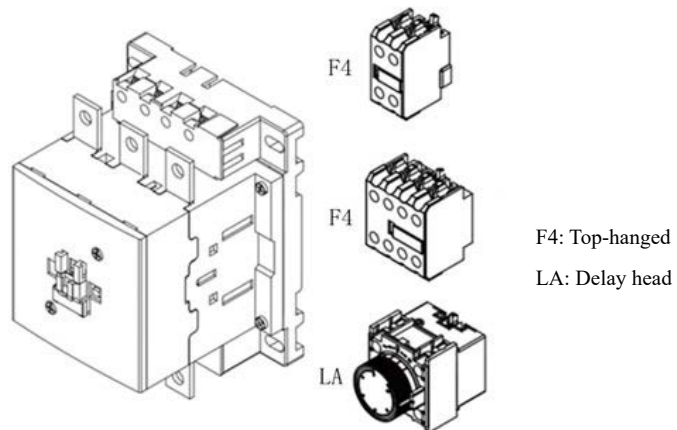
CJX2(F)-C Series AC Contactor (for AC-1)

4 Normal working and installation conditions

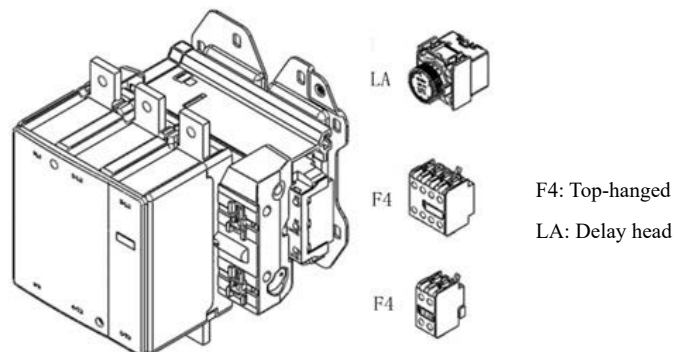
- 4.1 Normal working temperature is: $-40^{\circ}\text{C} \sim +70^{\circ}\text{C}$, and the extreme high temperature within 24 hours does not exceed $+70^{\circ}\text{C}$.
- 4.2 Altitude: not more than 3000m.
- 4.3 Atmospheric conditions: the relative humidity of the air at the installation site does not exceed 50% at a maximum temperature of $+40^{\circ}\text{C}$; Higher relative humidity is allowed at lower temperatures, such as up to 90% at $+20^{\circ}\text{C}$, and special measures should be taken against condensation occurred occasionally due to temperature changes.
- 4.4 Pollution degree: 3.
- 4.5 Installation category: Class III.
- 4.6 Impact vibration: There is no severe impact and vibration at the installation site.
- 4.7 Installation method: Screw-mounted.
- 4.8 Installation conditions: Vertical installation, the inclination in each direction is not greater than $\pm 5^{\circ}$.
- 4.9 Protection grade: IP00.

5 Accessory Installation

5.1 CJX2-80C ~ 250C



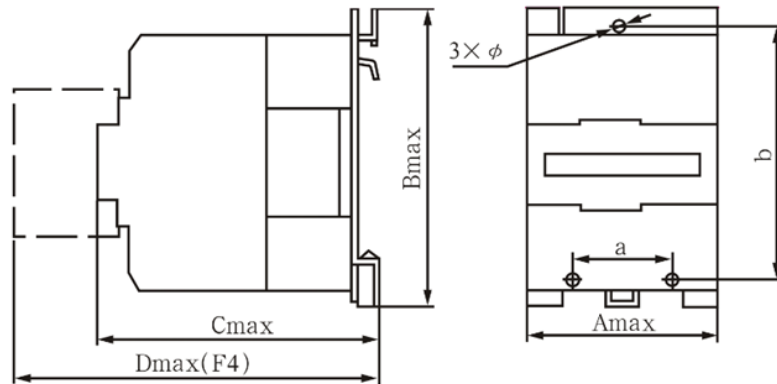
5.2 CJX2F-320C ~ 750C



CJX2(F)-C Series AC Contactor (for AC-1)

6 Outline and Installation Dimensions

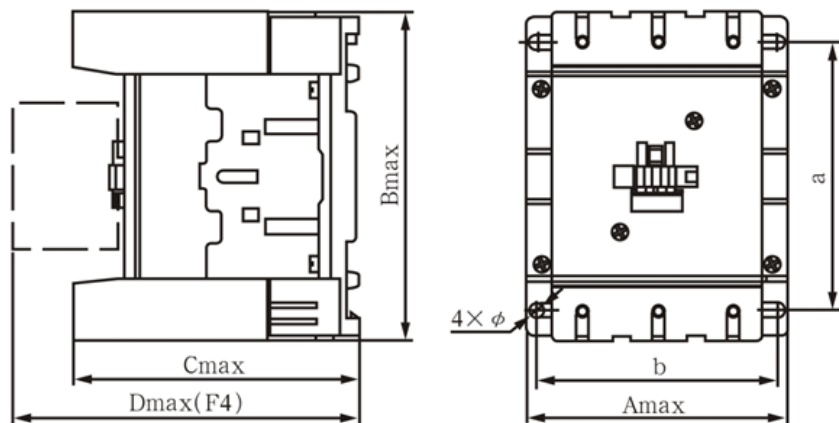
6.1 CJX2-80C outline drawings and installation dimensions



Unit: mm

Model	Amax	Bmax	Cmax	Dmax	a	b	ϕ
CJX2-80C	79	128	116	154.5	40±0.50	100±0.70/110±0.70	6.5 ^{+0.58} ₀

6.2 CJX2-150C ~ 250C outline drawings and installation dimensions

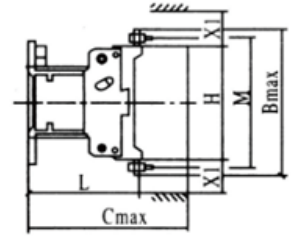
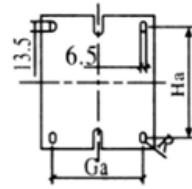
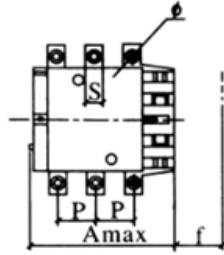


Unit: mm

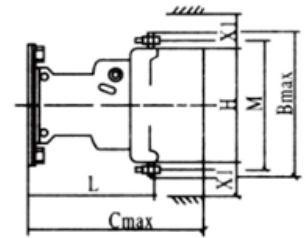
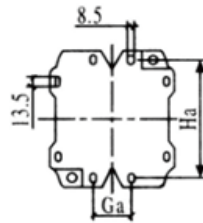
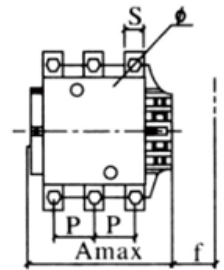
Model	Amax	Bmax	Cmax	Dmax	a	b	ϕ
CJX2-150C ~ 250C	122	160	135	173.5	130±0.70	96±0.70/110±0.70	6.5 ^{+0.58} ₀

CJX2(F)-C Series AC Contactor (for AC-1)

6.3 CJX2F-320C ~ 750C outline drawings and installation dimensions



CJX2F-320C ~ 500C



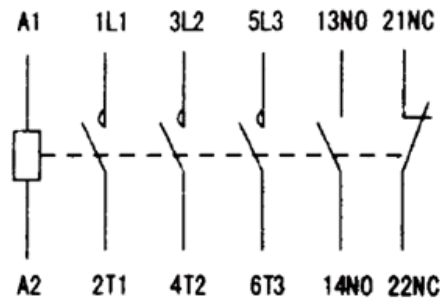
CJX2F-670C ~ 750C

Unit: mm

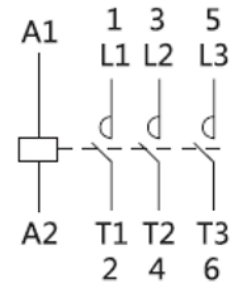
mm	CJX2F-320C	CJX2F-375C	CJX2F-400C	CJX2F-500C	CJX2F-670C	CJX2F-750C
A	167	172	202	202	214	233
B	171	199	203	203	209	240
C	174	186	217	217	222	233
P	40	48	48	48	48	55
S	20	25	25	25	25	30
Φ	M8	M10	M10	M10	M10	M10
f	131	131	147	147	151	169
M	150	172	178	178	181	208
H	124	127	147	147	158	172
L	107	113.5	141	141	145	146
X1						
200 ~ 500V	10	10	10	10	15	15
660 ~ 1000V	15	15	15	15	20	20
Ga	80	80	96	96	80	80
Ha	106 ~ 120	106 ~ 120	110 ~ 120	110 ~ 120	170 ~ 180	170 ~ 180

CJX2(F)-C Series AC Contactor (for AC-1)

7 Product Wiring Diagram



CJX2-80C



CJX2-150C ~ 750C

8 Ordering Notice

8.1 Please specify the following when ordering:

Full model, name, and order quantity and contactor

8.2 Check the following when ordering:

CJX-80C AC contactor has one open and one closed aux. contact, and other models have no aux. contact.

8.3 Order example:

CJX2-80C AC contactor coil voltage 220V, 54Hz, 24 units; F4-22 10 pcs.