

BK Copper Series Control Transformer

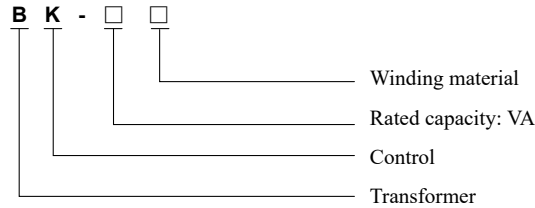


1 Overview

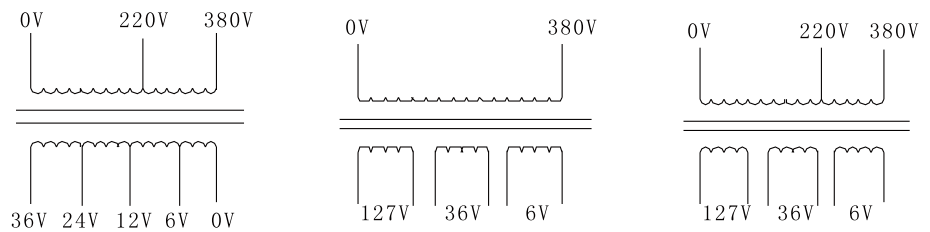
BK copper series control transformer is used in AC 50/60Hz various machine tools and mechanical equipment with the rated voltage 600V and below as the control power supply for general electrical device and as the power supply for local lighting and indicator (for 660V and above, customization is required)



2 Type Designation



3 Winding Structure Form



4 Outline and Installation Dimensions

4.1 Outline and Installation Dimensions

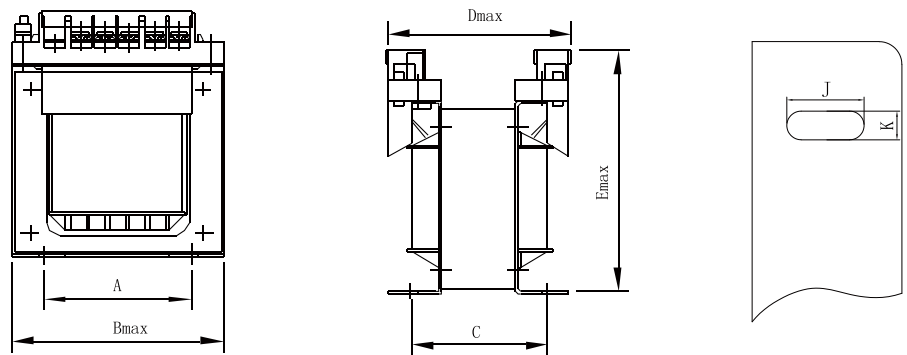


Fig. a) BK-25 (copper) ~ 200 (copper) control transformer outline drawings

BK-25VA (copper) ~
1000VA (copper) K x J

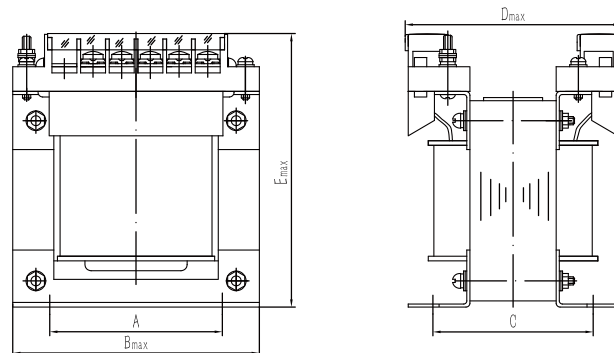


Fig. b) BK-250 (copper) ~ 1000 (copper) control transformer outline drawings

BK Copper Series Control Transformer

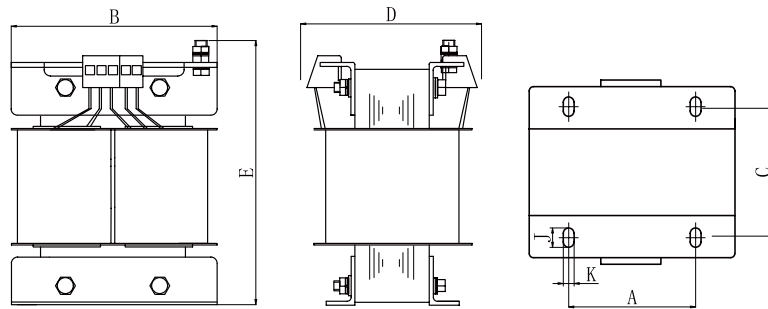


Fig. c) BK-1500 (copper) ~ 5000 (copper) control transformer outline drawings

Model	Outline dimensions mm			Installation dimensions mm (± 1.5)		Mounting hole mm	
	Bmax	Dmax	Emax	A	C	J	K
BK-25(copper)	80	69	90	56	52	5	9
BK-50(copper)	80	69	90	56	52	5	9
BK-100(copper)	85	81	99	56	61	5	9
BK-150(copper)	103	97	110	76	68	5	9
BK-200(copper)	103	106	110	76	77	5	9
BK-250(copper)	120	100	135	90	79	6	10
BK-300(copper)	120	105	135	90	84	6	10
BK-400(copper)	132	125	145	110	80	6	10
BK-500(copper)	132	135	145	110	90	8	10
BK-700(copper)	150	161	164	110	116	6	10
BK-1000(copper)	150	161	164	110	116	6	10
BK-1500(copper)	190	190	230	130	111	10	18
BK-2000(copper)	190	200	230	130	121	10	18
BK-2500(copper)	190	225	250	130	146	10	18
BK-3000(copper)	190	225	250	130	146	10	18
BK-4000(copper)	240	265	310	130	150	10	18
BK-5000(copper)	240	265	310	130	150	10	18
BK-7000(copper)	240	265	350	130	150	10	18
BK-8000(copper)	360	280	370	280	140	11	20
BK-10000(copper)	420	300	370	280	150	11	20

Note: 10KVA and above product shall be customized.

BK Copper Series Control Transformer

5 Normal working and installation conditions

- 5.1 The altitude does not exceed 2000m;
- 5.2 The maximum ambient temperature does not exceed +40°C, and the minimum temperature is not below -5°C (when the product is required to be used in an environment below -5°C or higher than +40°C, this shall be specified when ordering), and the mean temperature within 24h does not exceed +35°C;
- 5.3 The monthly mean maximum humidity is not greater than 90% in the wettest month, the monthly mean minimum temperature of that month is +25°C; the condensation occurred on the product surface due to temperature changes shall be considered.
- 5.4 Used in the medium without explosion hazard free from gas and conductive dust sufficient to cause metal corrosion and insulation damage.
- 5.5 Installed in a place where there is no obvious vibration and impact vibration.
- 5.6 Installed in a place where there is no rain and snow immersion.
- 5.7 The input voltage does not exceed the rated voltage of the transformer $\pm 5\%V$.

6 Ordering Notice

- 6.1 Product name: Control transformer.
- 6.2 Product model: BK- "Rated capacity" (copper).
- 6.3 Rated frequency: 50Hz.
- 6.4 Rated input voltage: 660/380/220.
- 6.5 Rated output voltage, and capacity under the outlet voltage of each set, such as 110V(700VA) 24V (300VA).
- 6.6 If an isolation shield is required between the input and outlet windings of the product, please specify this when ordering.

Note: If out of the normal working environment range (such as temperature, and altitude), special customization is required.