

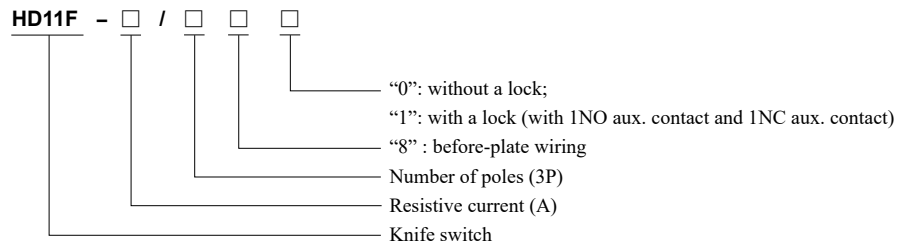


HD11F Series Isolator

1 Overview

HD11F series isolator is suitable for the equipment with rated voltage up to AC690 (50Hz) and resistive current up to 1600A. This product is primarily used for isolation of power supply in the power distribution equipment in the industrial enterprise. The product with a lock can be used to prevent misoperation, greatly improving the personnel safety protection. It is widely used in various power cabinet and switchgear.

2 Type Designation



3 Technical Parameters

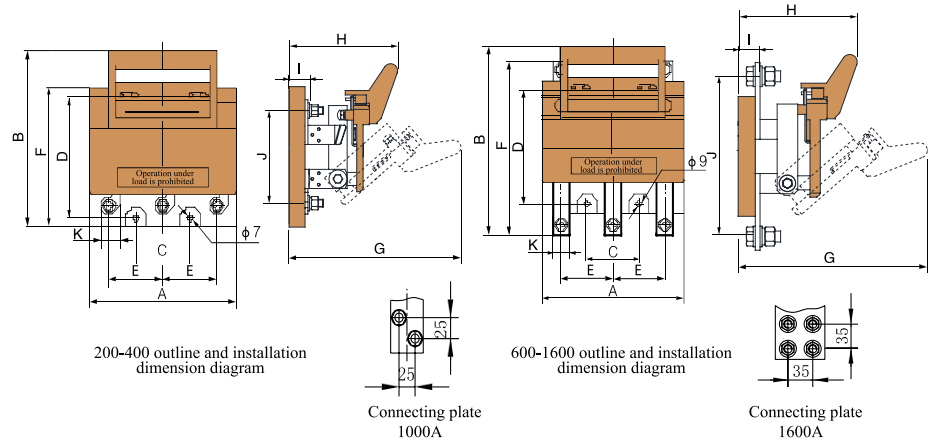
Basic Parameters					
Resistive current Ith(A)	250	400	630	1000	1600
Rated insulation voltage Ui(V)	1000				
Rated working voltage Ue(v)	415/690				
Usage category	AC-20A				
Rated working current Ie(A)	200 250	400	600 630	1000	1500 1600
Rated short-time withstand current (kA/s)	10	15	20	25	30
Mechanical life (times)	8,000	5,000	5,000	3,000	3,000
Aux. contact Ith(A) AC-15	0.8				

4 Operating Conditions

- 4.1 Ambient air temperature: -5°C~+40°C.
- 4.2 Altitude: not exceed 2,000 meters.
- 4.3 Humidity: The relative air humidity does not exceed 50% at the maximum temperature +40°C. A higher relative humidity is allowed at a lower temperature, such as up to 90% at 20°C. Special measures are taken for condensation occurred occasionally due to temperature changes.
- 4.4 Pollution degree: 3.
- 4.5 The switch shall be vertically installed in places where there is no obvious shaking, impact vibration or rain and snow erosion and no explosive and hazardous medium, and there is no enough gas and dust to cause metal corrosion and insulation damage in medium.

HD11F Series Isolator

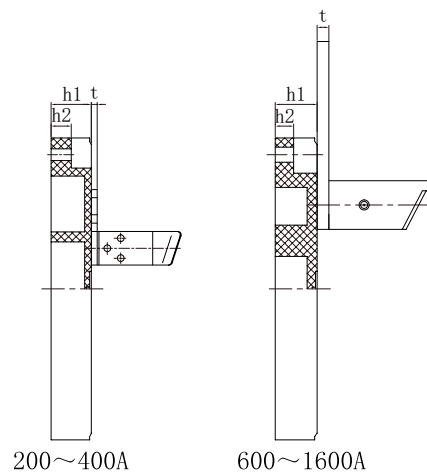
5 Outline and Installation Dimensions



Spec.	Outline dimensions and installation dimensions (mm)										
Current	A	B	C	D	E	F	G	H	I	J	K
200, 250	190	180	70	140	70	165	220	156	26.5	110	25
400	220	210	80	190	80	210	260	170	30	146	38
600, 630	260	280	100	140	100	274	260	175	32	234	40
1000	325	300	120	140	120	284	300	195	39	208	50
1500, 1600	360	340	130	140	130	330	330	210	39	230	70

Note: C and D are base plate installation dimensions

HD11F mounting plate fixation depth, and distance from the busbar to the mounting plate



Spec.	200, 250A	400A	600, 630A	1000A	1500, 1600A
h1	23	25	25	30	30
h2	11	11	11	15	15
t	3.5	4	7	9	9
Busbar width	25	38	40	50	70

HD11F Series Isolator

6 Ordering Notice

The ordering unit must specify the model, features, voltage, current, number of poles, operation mode and quantity of switch. For special ordering requirements, please contact Tengen technical department.

For example: HD11F-250/381 10 pcs.