



RT18-PV Photovoltaic Fuse

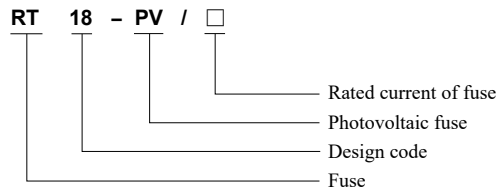
1 Overview

RT18-PV photovoltaic fuse is suitable for solar photovoltaic system with rated voltage up to DC1000V, rated current up to 20A, and rated breaking capacity up to 20kA mainly for overload and short-circuit protection; breaking range and usage category: gPV.

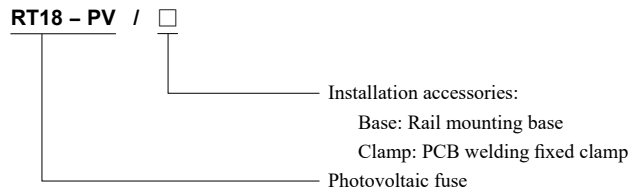
Standard: IEC60269-6

2 Type Designation

Fuse model:



Mounting base and fixed clamp:

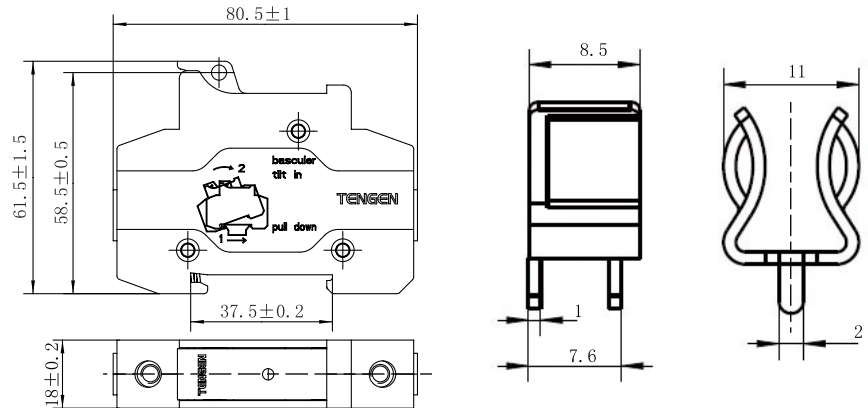


3 Technical Parameters

Model	Dimension L x C	Rated voltage (V)	Rated current (A)	Power dissipation	Rated breaking capacity (kA)
RT18-PV	10×38	DC1000	2, 4, 6, 8, 10, 12, 15, 16, 20	≤3	20

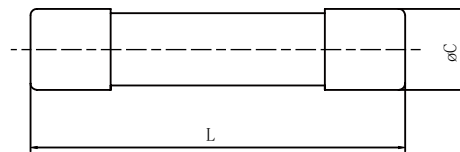
RT18-PV Photovoltaic Fuse

4 Outline and Installation Dimensions



RT18-PV base installation
dimension drawing

Outline dimension drawing of PCB
plate welding fixed clamp



Fuse outline dimension drawing

5 Operating Conditions

5.1 Ambient temperature: $-25^{\circ}\text{C} \sim +60^{\circ}\text{C}$

Refer to air temperature directly around the fuse body rather than room temperature. In many applications, the fuse temperature is quite high, because the fuse is installed in the supports / bases of different structure and the entire fuse is also sealed in a power distribution / control cabinet.

5.2 Altitude: Not exceed 2,000 meters

5.3 Atmospheric conditions: The air is clean, and its relative humidity does not exceed 50% at the maximum temperature 60°C ; a higher relative humidity is allowed at a low temperature. For example, the relative humidity can be up to 85% at 20°C , and the maximum relative humidity does not exceed 90%; the middle condensation may occur occasionally due to temperature changes under those conditions.

5.4 Pollution degree: 3.

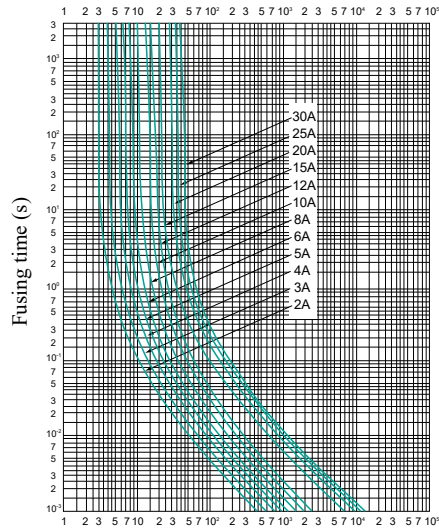
5.5 Installation category: III.

5.6 Installation site: The fuse shall be installed in places where there is no obvious shaking or impact vibration.

5.7 Please contact the manufacturer when the working conditions are different from the above conditions.

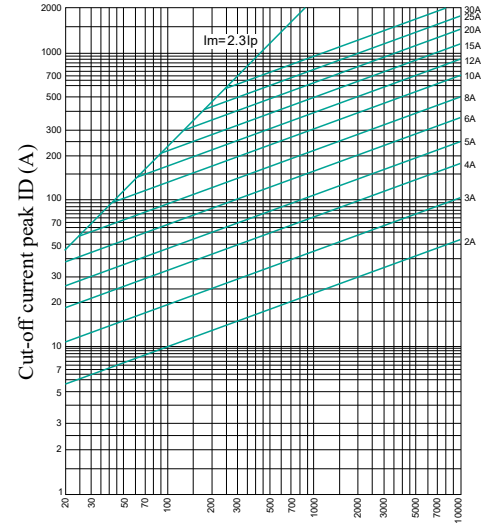
RT18-PV Photovoltaic Fuse

6 Characteristic Curve



Expected current I_p (effective value) (A)

Time – current characteristic curve



Expected current (absolute effective value) I_p (A)

Cut-off current characteristic curve

7 Ordering Notice

7.1 Please specify the following contents when ordering:

7.1.1 Please specify the product model, rated current, and quantity of fuse;

7.1.2 Please specify the model, specification, base, and order quantity of base;

7.2 Order example: To order RT18-PV/16A 100 pcs, indicating 100 pcs RT18-PV fuses with r rated current 16A;

To order RT18-PV/base 100 pcs, indicating 100 pcs RT18-PV fuse bases.